

## ELLIPSE DRESSER - VERTICAL

E-VD6 • 52"H X 33"W X 20"D



*Thos. Moser*

HANDMADE AMERICAN FURNITURE

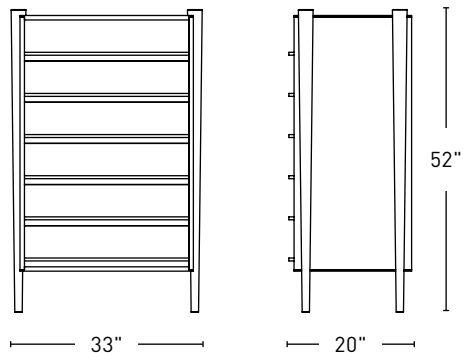
FREEPORT, ME • BOSTON • NEW YORK • PHILADELPHIA • WASHINGTON, DC • SAN FRANCISCO • 800.862.1973 • THOSMOSER.COM



## ELLIPSE DRESSER - VERTICAL

**E-VD6** • 52"H X 33"W X 20"D

From its tapered legs and exposed end grain to its elliptical drawer pulls, the Ellipse Six Drawer Vertical Dresser is confident in its simplicity. Resting gracefully above the floor, the six-drawer cabinet is mortise-and-tenon joined to each integral leg as it rises through – and slightly beyond – the top. Each element of the dresser is made of hand-finished North American hardwood, with front, side and top surfaces finished to reveal its dense grain structure.



*Thos. Moser*

HANDMADE AMERICAN FURNITURE

FREEPORT, ME • BOSTON • NEW YORK • PHILADELPHIA • WASHINGTON, DC • SAN FRANCISCO • 800.862.1973 • THOSMOSER.COM