

georgetown double pedestal extension table

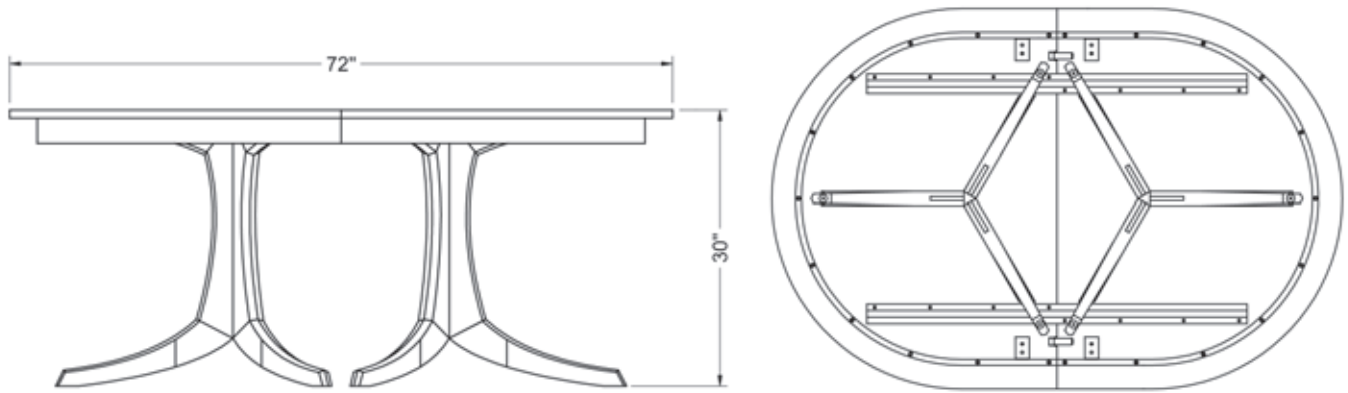
PT72 · 30"H x 48"W x 72-116"L



georgetown

 **THOS. MOSER**

72 Wright's Landing | Auburn, ME | p: 800 862 1973 | f: 207 784 6973 | thosmoser.com



### georgetown double pedestal extension table

PT72 · 30" H x 48"W x 72-116"L

Available in a single or double pedestal version, this table has classic proportions supported by an innovative leg design. Grain-matched cherry legs are individually shaped to create eight facets that uniquely capture light and shadow. Each leg is reinforced with triangular wooden pieces, or splines, that are wedged into the mitered joints. The result is a distinguished table of uncommon strength and beauty.

