

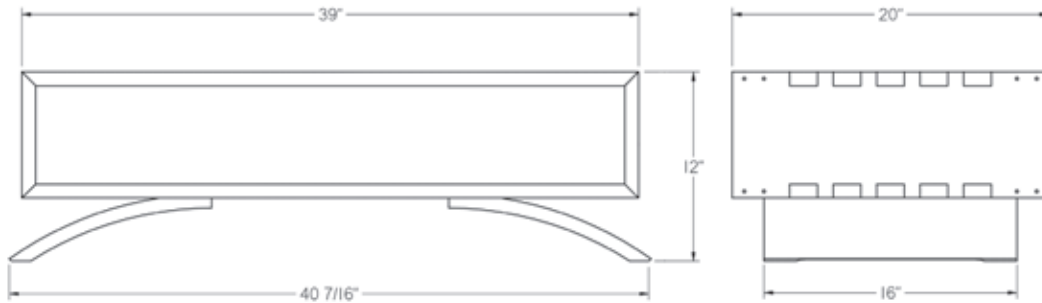
vita coffee table
VCT · 12"H x 39"W x 20"D



vita

 **THOS. MOSER**

72 Wright's Landing | Auburn, ME | p: 800 862 1973 | f: 207 784 6973 | thosmoser.com



vita coffee table

VCT · 12"H x 39"W x 20"D

To complement the sparse lines of the Vita Chair, a simple four-sided cube serves as side table and coffee table. While simple in form, it is the details that make all the difference. In crafting our cube, we enhance this form through its construction, using our own abilities to craft mitered dovetail joints. This is an arduous task first introduced and perfected by a Chinese master craftsman centuries ago. The cube is then suspended over the curved, laminated feet that are a trademark of our Vita collection.

