

new gloucester rocker

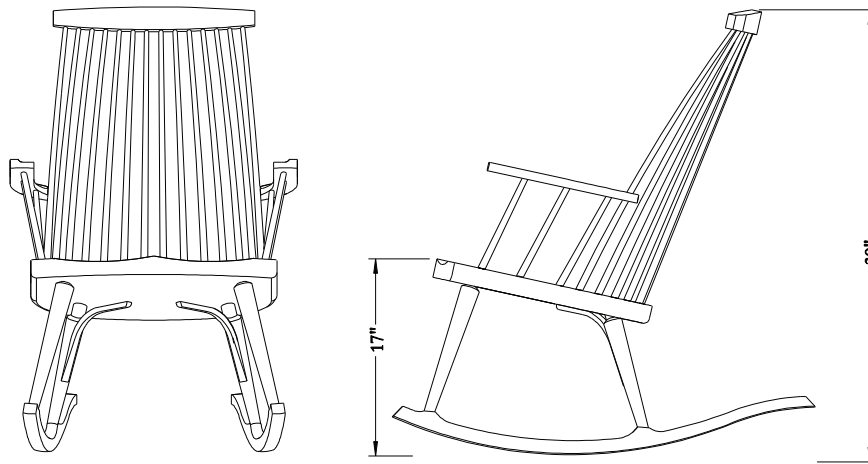
NGR · 39"H x 23"W x 37"D



new gloucester

 **THOS. MOSER**

72 Wright's Landing | Auburn, ME | p: 800 862 1973 | f: 207 784 6973 | thosmoser.com



new gloucester rocker

NGR · 39" H x 23" W x 37" D

New Gloucester was home to our first shop, not far from the last remaining Shaker Community at Sabbathday Lake. This homage to the spare, graceful design found there will bring a place of serenity to your home. Ideally spaced to envelope the back in comfort, the ash spindles are joined to the back crest and sculpted cherry seat with wedged tenons, fitted at precise angles to allow both adequate flex and deceptive strength.



 **THOS. MOSER**

72 Wright's Landing | Auburn, ME | p: 800 862 1973 | f: 207 784 6973 | thosmoser.com