

katahdin arm stool

LSA25-F · 38"H x 22"W x 23"D

LSA27-F · 40"H x 22"W x 23"D

LSA31-F · 44"H x 22"W x 23"D

katahdin side stool

LSN25-F · 38"H x 20"W x 23"D

LSN27-F · 40"H x 20"W x 23"D

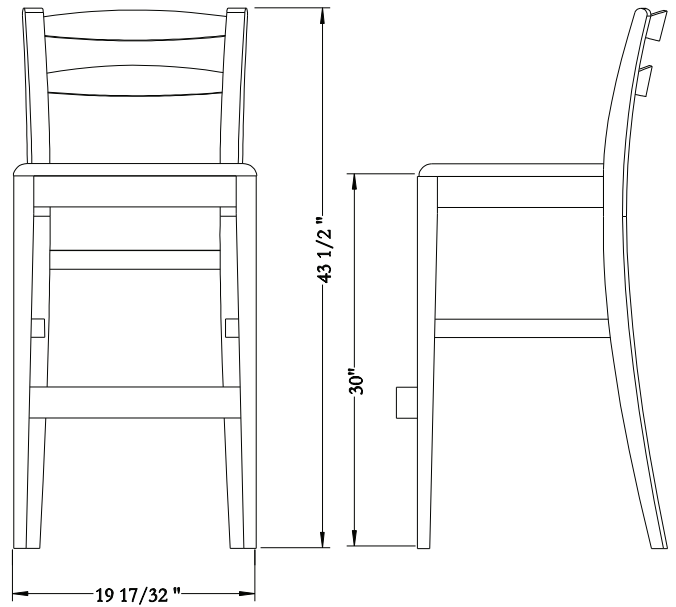
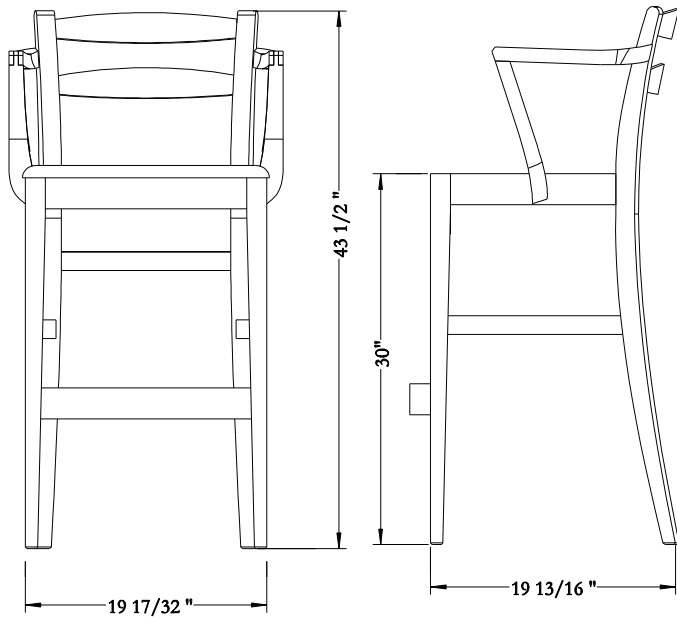
LSN31-F · 44"H x 20"W x 23"D



katahdin

 **THOS. MOSER**

72 Wright's Landing | Auburn, ME | p: 800 862 1973 | f: 207 784 6973 | thosmoser.com



katahdin arm stool

- LSA25-F · 38" H x 22" W x 23" D
- LSA27-F · 40" H x 22" W x 23" D
- LSA31-F · 44" H x 22" W x 23" D

katahdin side stool

- LSN25-F · 38" H x 20" W x 23" D
- LSN27-F · 40" H x 20" W x 23" D
- LSN31-F · 44" H x 20" W x 23" D

Katahdin, Maine’s majestic mile-high peak, is the traditional U.S. terminus of the Appalachian Trail. The Katahdin Stool reshapes the Appalachian ladderback design for much greater comfort. Available with well-padded upholstery or handwoven fibre rush seats.

