

THOS. MOSER
CABINETMAKERS

SPECIALTY SALES | LIBRARIES

Atlas Stand



72 Wright's Landing, Auburn, Maine 04211
Phone: 800-708-9710 Fax: 207-784-6973

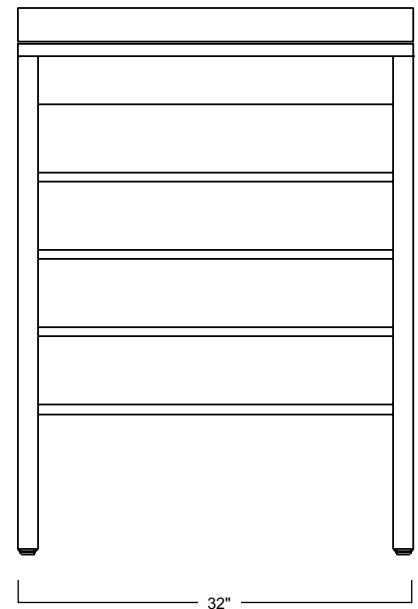
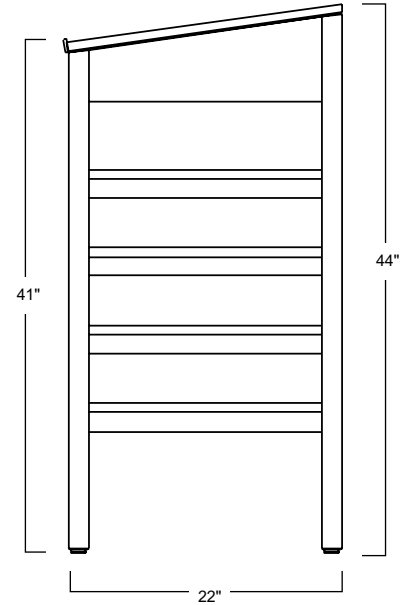
Web: <http://www.thosmoser.com> Email: projects@thosmoser.com

Atlas Stand

Dimensions: 44"H x 32"W x 22"D

FEATURES:

- Sloped top
- Optional flat top
- Fixed shelves optional
- Optional design for use as a double-sided case with up to ten drawers
- Paneled sides and drawer can be specified



These drawings are not to scale. Dimensions rounded to the nearest inch.
Please contact us if measured shop drawings are required.