

THOS. MOSER
CABINETMAKERS

Washington Carrel

SPECIALTY SALES | LIBRARIES



72 Wright's Landing, Auburn, Maine 04211
Phone: 800-708-9710 Fax: 207-784-6973

Web: <http://www.thosmoser.com> Email: projects@thosmoser.com

Washington Carrel · One Place

Section dimensions: 52"H x 30"D x 48"W

Washington Carrel · Side to Side

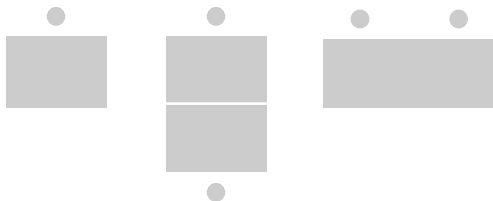
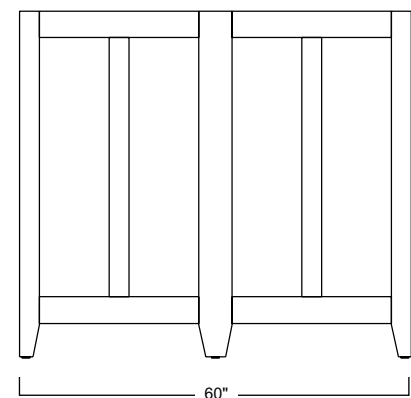
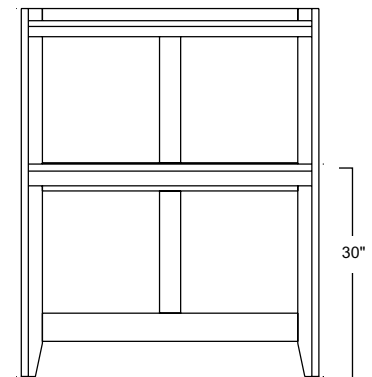
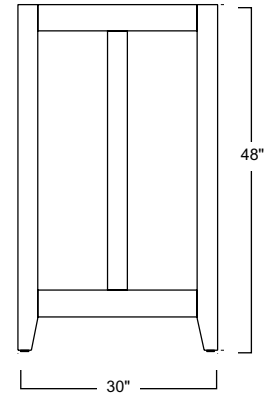
Section dimensions: 52"H x 30"D x 48"W

Washington Carrel · Back to Back

Section dimensions: 52"H x 30"D x 48"W

FEATURES:

- 30"H work surface
- ADA-accessible 28 1/2" clearance to floor
- Traditional end panels, with solid wood raised panels
- 24" task light with T8 bulb, 4100K cool white with rapid start, class P rated thermally protected ballast
- Optional power/data wire management
- Divided power raceways handle high power voltage and low data voltage
- In a run of carrels, wire management can be handled individually or as a group
- The larger series of carrels are designed in sections for ease of reconfiguration
- Carrels can be built in configurations for up to 16 users



These drawings are not to scale. Dimensions rounded to the nearest inch.
Please contact us if measured shop drawings are required.