

ellipse end table

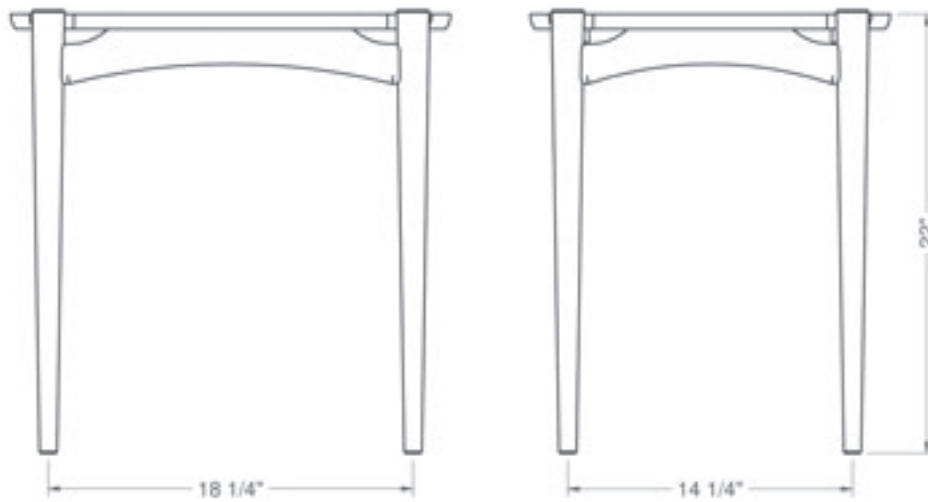
E-ET · 22"H x 22"W x 18"D



ellipse

 **THOS. MOSER**

72 Wright's Landing | Auburn, ME | p: 800 862 1973 | f: 207 784 6973 | thosmoser.com




ellipse end table

E-ET · 22"H x 22"W x 18"D

Crafted with the same floating legs used in the dining and coffee tables in the Ellipse collection, our Ellipse End Table is the perfect complement to the Ellipse Couch and Lounge Chair. Designed with a conservative footprint, this airy end table employs our finest mortise-and-tenon joinery, hand finishing and legendary durability.



 **THOS. MOSER**

72 Wright's Landing | Auburn, ME | p: 800 862 1973 | f: 207 784 6973 | thosmoser.com