

ellipse coffee table

E-CT48 · 17"H x 50"W x 24"D

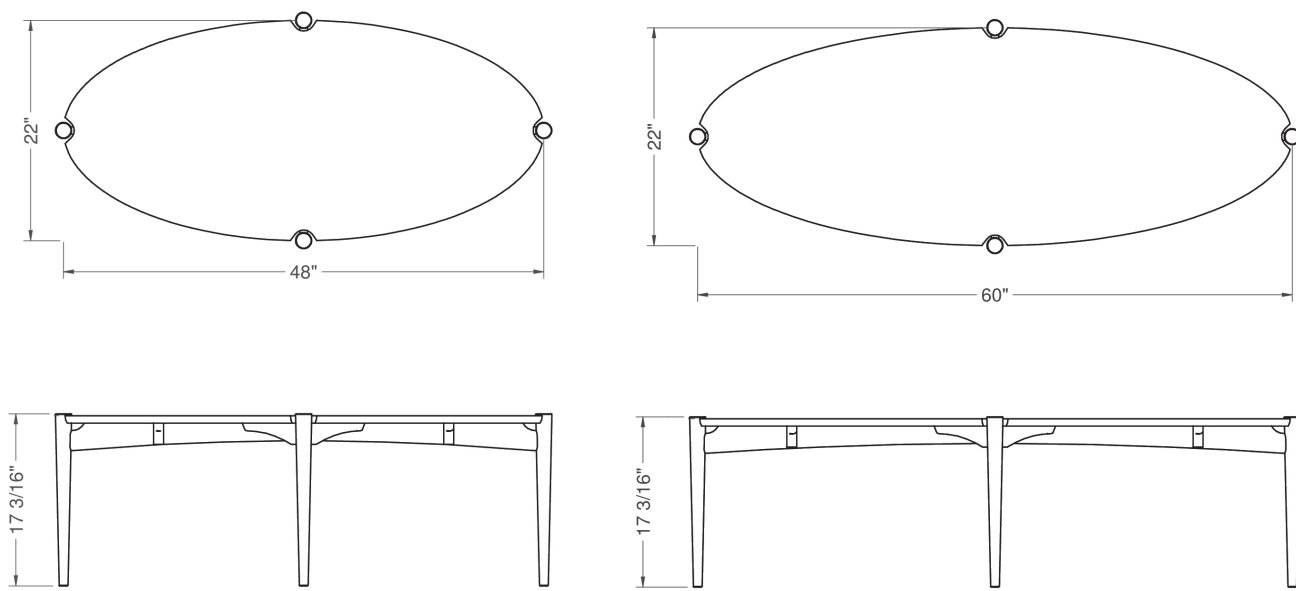
E-CT60 · 17"H x 62"W x 24"D



ellipse

 **THOS. MOSER**

72 Wright's Landing | Auburn, ME | p: 800 862 1973 | f: 207 784 6973 | thosmoser.com



ellipse coffee tables

E-CT48 · 17" H x 50" W x 24" D

E-CT60 · 17" H x 62" W x 24" D

While many of the pieces in our Ellipse Living collection make subtle nods to their namesake shape, our Ellipse Coffee Tables place it front and center. Simply crafted with floating leg joints, its smooth, seamless tabletop flows gracefully from one narrow end to another, broadening in the middle to provide an elegant, functional space for reading material, decoration, and yes, even coffee. Available in both 48" and 60" lengths, it pairs perfectly with our Ellipse Couch, and perfectly rounds out its environment.

